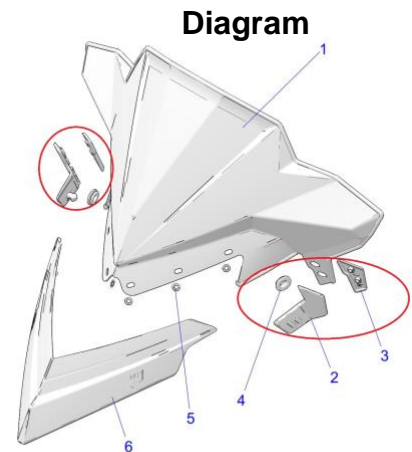


Before you begin, read these instructions, and check to be sure all parts and tools are accounted for. Please retain these installation instructions for future reference and parts ordering information.

Kit Components:

Qty.	Part Description	Tools required for installation:
1	Windshield	Pliers
8	1/4" push nuts (2 extra)	8mm socket for installing push nuts

If your sled had a small windshield you will need to purchase from Polaris the two lower windshield mounting brackets. See DIAGRAM. **Polaris part number 5457530, 5457531, 5457532, 5457533 bracket. (2) 5433833 grommets.**



Parts required from Polaris if your sled came with a low stock windshield (circled in red)

INSTALLATION INSTRUCTION

1. Stock windshield removed. (See Photo 1) Some larger shields may have darts in the side of the dash. (See Photo 2) Gently pull these out first, then pull up on the outer trim of the windshield popping the darts out of the three rubber grommets in the dash.



Photo 1

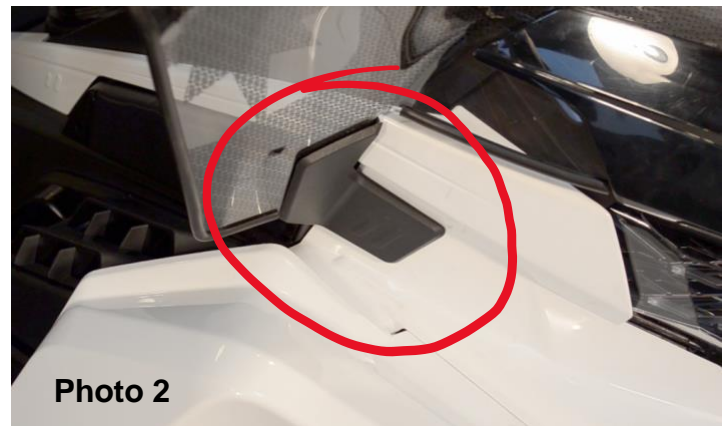


Photo 2

2. If you have a taller stock windshield remove the two lower mounting brackets by snapping apart the mount. (See Photo 3)
3. Turn the windshield over and remove the 6 push nuts that secure the stock windshield to the windshield retainer. (See Photo 4)

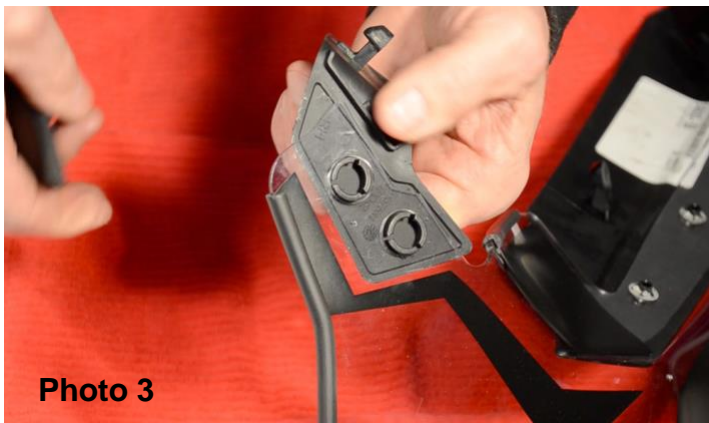


Photo 3



Photo 4

Polaris Matryx 14621, 14630, 14640 – Installation Instructions

4. Install the windshield retainer onto the PowerMadd windshield and using the included push nuts secure the windshield to the retainer. A deep well 8mm socket works well for pushing the nuts into place. (See Photo 5)



5. Install both the lower windshield mounting brackets onto the PowerMadd windshield making sure to install the brackets in the same orientation as the Diagram shows
6. Install windshield onto the machine by first lining up the front dart and working your way to the rear and finally snapping in the two lower windshield mounting darts. (See Photo 6)



LIMITED WARRANTY

POWERMADD warrants this product to be free from defects in material and workmanship under use for the purpose it was intended. **POWERMADD** shall not be liable for damage or injury caused by defective materials or workmanship. **POWERMADD** may elect to repair or replace this product, but is the sole judge of any defects in their product. This warranty does not cover any labor costs to remove or reinstall this product and is effect for one year from the original purchase date.