

POWERMADD[®] Plastic Mini-Ski

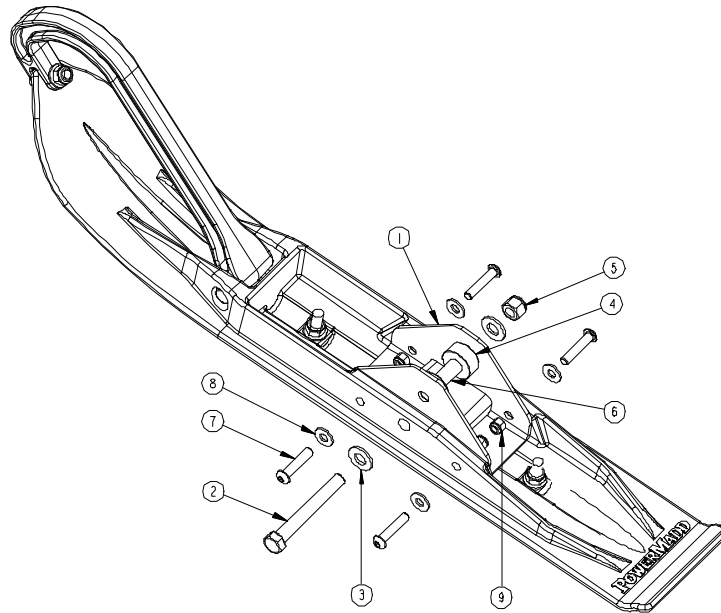
Mounting Instructions for Polaris XCR 120 Saddle Kit Part No. 15891

TOOLS REQUIRED:

- 5/32" Allen Wrench
- 7/16" Wrench
- 2 - 9/16" Wrenches

HARDWARE INCLUDED:

Item	Qty	Description
1	2	Saddles
2	2	3/8-16" Mounting bolts
3	4	3/8" Flat washers
4	4	Pivot spacers
5	2	3/8" Lock nuts
6	2	Bushings
7	8	1/4-20 Cap Screws
8	8	1/4" Flat Washers
9	8	1/4-20 Lock Nuts



SCALE · 0 450 TYPE · ASSEM NAME · PP5025 SIZE · A

Step 1: Assemble the POWERMADD saddles (item 1) to the POWERMADD Mini-skis using the 1/4-20 mounting hardware (items 7, 8 & 9) as shown in the illustration above.

Step 2: Disassemble the stock skis by removing the stock mounting bolts, washers, and nuts.

NOTE: Replace all of the manufacturer's mounting hardware with the Plastic Mini-Ski mounting hardware provided.

Step 3: Remove the stock bushing from the spindle and replace with the bushing (item 6) provided in the Saddle Kit. If needed, apply some grease to the bushing before installation.

Step 4: Place a Pivot spacer (item 4) on each side of the spindle and line up with the mounting hole in the saddle. Then use the 3/8-16 mounting hardware (items 2, 3 & 5) to secure the ski to the spindle.

Congratulations! We hope you thoroughly enjoy using your Plastic Mini-Ski for many years.

LIMITED WARRANTY

POWERMADD warrants this product to be free from defects in material and workmanship under use for the purpose it was intended. POWERMADD shall not be liable for damage or injury caused by defective materials or workmanship. POWERMADD may elect to repair or replace this product, but is the sole judge of any defects in their product. This warranty does not cover any labor costs to remove or reinstall this product and is effect for one year from the original purchase date.

POWERMADD[®]
1-800-435-6881
www.powermadd.com

PP5025 REV A