

POWERMADD Plastic Mini-Ski

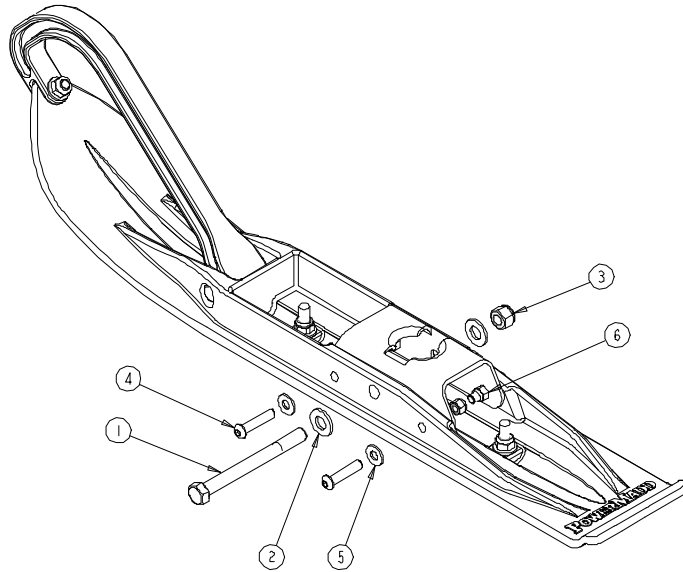
Mounting Instructions for: Arctic Cat Z 120

TOOLS REQUIRED:

- 2 - 9/16" Wrenches
- 1 - 7/16" Wrench
- 1 - 5/32" Allen Wrench
- White lithium grease

HARDWARE INCLUDED:

Item	Qty	Description
1	2	3/8-16 Mounting bolts
2	4	3/8" Flat washers
3	2	3/8-16 Lock nuts
4	8	1/4-20 Bolts
5	8	1/4" Washers
6	8	1/4-20 Lock nuts



SCALE - 0 500 TYPE - ASSEM NAME - PP0033 SIZE - A

Step 1: Assemble the new saddles to the Plastic Mini-Skis using items 4, 5 & 6, using a 5/32" Allen wrench and a 7/16" wrench, as shown in illustration above. (Plastic Mini-Skis are sold separate from Saddle Kits.)

Step 2: Remove the stock skis by using the 9/16" wrenches to remove the stock mounting bolts, nuts and washers.

Step 3: Remove the stock spindle bushings, apply grease if needed and reassemble.

NOTE: Replace all of the manufacturer's mounting hardware with the Plastic Mini-Ski mounting hardware provided.

Step 4: Line up the holes in the Plastic Mini-Ski and the stock spindle. Assemble mounting bolt (item 2) and washer (item 3) as illustrated.

Step 5: Assemble flat washer (item 3) and lock nut (item 5) on the threaded end of the mounting bolt (item 2). Use 9/16" wrenches to tighten mounting bolt. DO NOT over tighten, ski should be able to pivot up and down.

Step 6: Repeat steps 4 and 5 for installation of second Plastic Mini-Ski.

LIMITED WARRANTY

POWERMADD warrants this product to be free from defects in material and workmanship under use for the purpose it was intended. POWERMADD shall not be liable for damage or injury caused by defective materials or workmanship. POWERMADD may elect to repair or replace this product, but is the sole judge of any defects in their product. This warranty does not cover any labor costs to remove or reinstall this product and is effect for one year from the original purchase date.

POWERMADD®

1-800-435-6881

www.powermadd.com

PP0033 REV B